

**Please Note:** This drawing shows a typical configuration of equipment and does not necessarily show the equipment currently installed in the unit. Verify the specific equipment currently in the unit with a KTG representative.

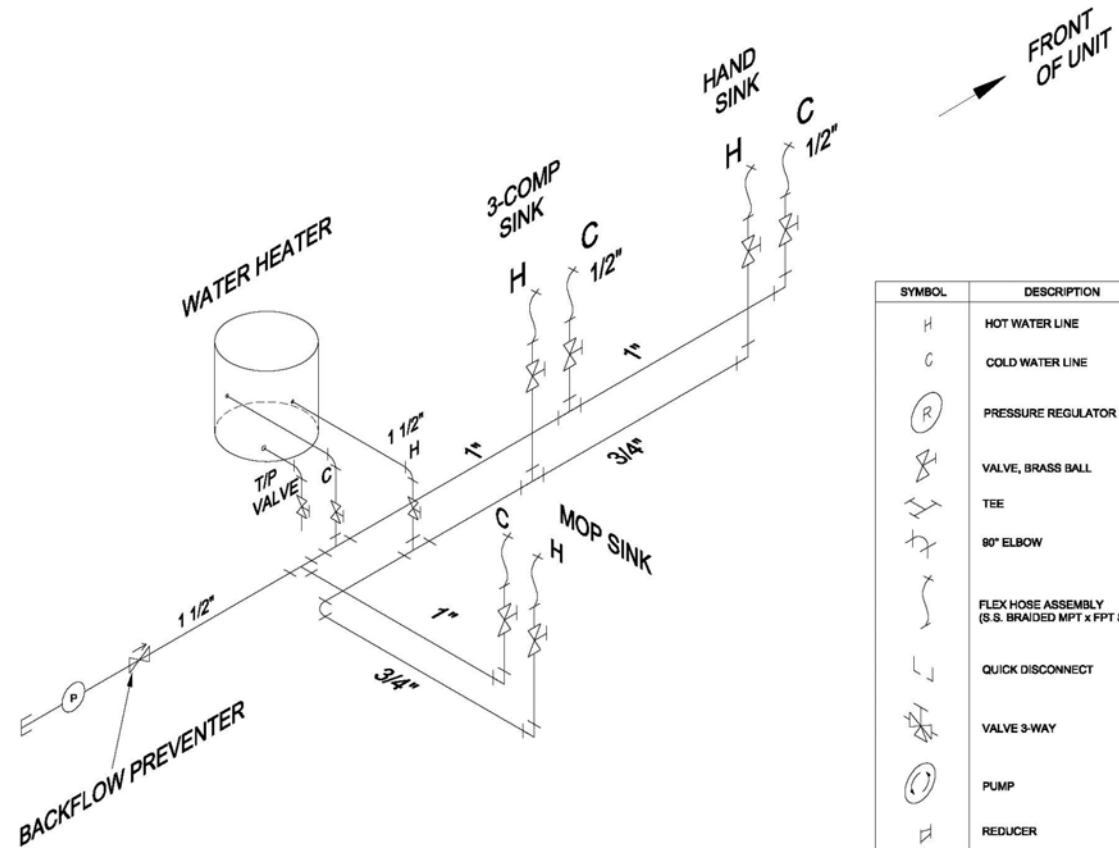
THE DESIGN AND DETAILS DISCLOSED HEREIN ARE THE EXCLUSIVE PROPERTY OF CARLIN MANUFACTURING LLC. AND SHALL NOT BE COPIED OR REPRODUCED IN WHOLE OR IN PART WITHOUT THE PRIOR WRITTEN CONSENT OF CARLIN MANUFACTURING LLC. © 2009 CARLIN MANUFACTURING LLC.

REVISIONS				
ZONE	REV	DESCRIPTION	DATE	APPROVED

**NOTES:**

1. USE 1/2" KITEC TO PLUMB WATER LINE UNLESS OTHERWISE SPECIFIED.  
USE BLUE KITEC FOR COLD WATER AND ORANGE KITEC FOR HOT WATER.
2. ALL LINES SHALL BE ADEQUATELY SUPPORTED WITH GALV. STL. 2 HOLE STRAPS AT 3' O.C. MAX. TO WITHSTAND NORMAL ROAD AND OFF-ROAD (ROUGH TERRAIN) CONDITIONS.
3. ALWAYS USE ROUND RUBBER GROMMETS WHENEVER PLUMBING LINES RUN THRU METAL PLATES, SKIN, CURB, ETC.
4. WRAP ALL HOT WATER LINES WITH 3/8 WALL RUBATEX (NEOPRENE) PIPE INSULATION.
5. PRESSURE TEST WATER LINES (90-100 PSI) FOR LEAKS PRIOR TO EQUIPMENT FINAL CONNECTIONS.
6. FOR STORAGE: DRAIN WATER LINES USING DRAIN VALVES LOCATED UNDER 3 COMPARTMENT SINK.
7. EXPOSED SURFACE LINES (KITEC, PVC ABS) CAN NOT BE RUN UNLESS APPROVED BY CARLIN MANUFACTURING.
8. WATER HEATER SHALL BE PERMANENTLY SECURE TO THE FLOOR AND OR THE WALL.

A\* REMOVE THIS CONNECTION IF WATER SOFTENER IS ADDED TO THE SYSTEM



SYMBOL	DESCRIPTION
H	HOT WATER LINE
C	COLD WATER LINE
(R)	PRESSURE REGULATOR
[Valve symbol]	VALVE, BRASS BALL
[Tee symbol]	TEE
[Elbow symbol]	90° ELBOW
[Flex hose symbol]	FLEX HOSE ASSEMBLY (S.S. BRAIDED MPT x FPT SWIVEL)
[Quick disconnect symbol]	QUICK DISCONNECT
[3-way valve symbol]	VALVE 3-WAY
[Pump symbol]	PUMP
[Reducer symbol]	REDUCER
[Check valve symbol]	CHECK VALVE
[Water filtration symbol]	WATER FILTRATION SYSTEM

**Kitchens To Go**  
 KTG  
 MODULAR KITCHEN COMPLEX

UNLESS OTHERWISE SPECIFIED DIMENSIONS ARE IN INCHES TOLERANCES ARE:  
 FRACTIONS DECIMALS  
 FRAC 1/16 .001-1.00  
 AND 1" .000-2.000  
 DO NOT SCALE DRAWINGS

DESIGNER PREPARED IN ACCORDANCE WITH AM. 1-910, 91.070-10.0 AND AMBY14.5  
 SIMILAR TO

SCALE: 1:4  
 SHEET: 1 OF 1

DWG NO. 577

APPROVALS: RR DATE: 02-08-06

CHANGED: [ ]  
 ENGR: [ ]  
 DESIGN ACTIVITY: [ ]  
 REV: [ ]

**CARLIN MANUFACTURING, L.L.C.**  
**FRESH WATER PLUMBING SCHEMATIC**

SYMBOL CODE: B  
 DWG NO.: 577P01-0-01  
 SCALE: 1:4  
 SHEET: 1 OF 1