

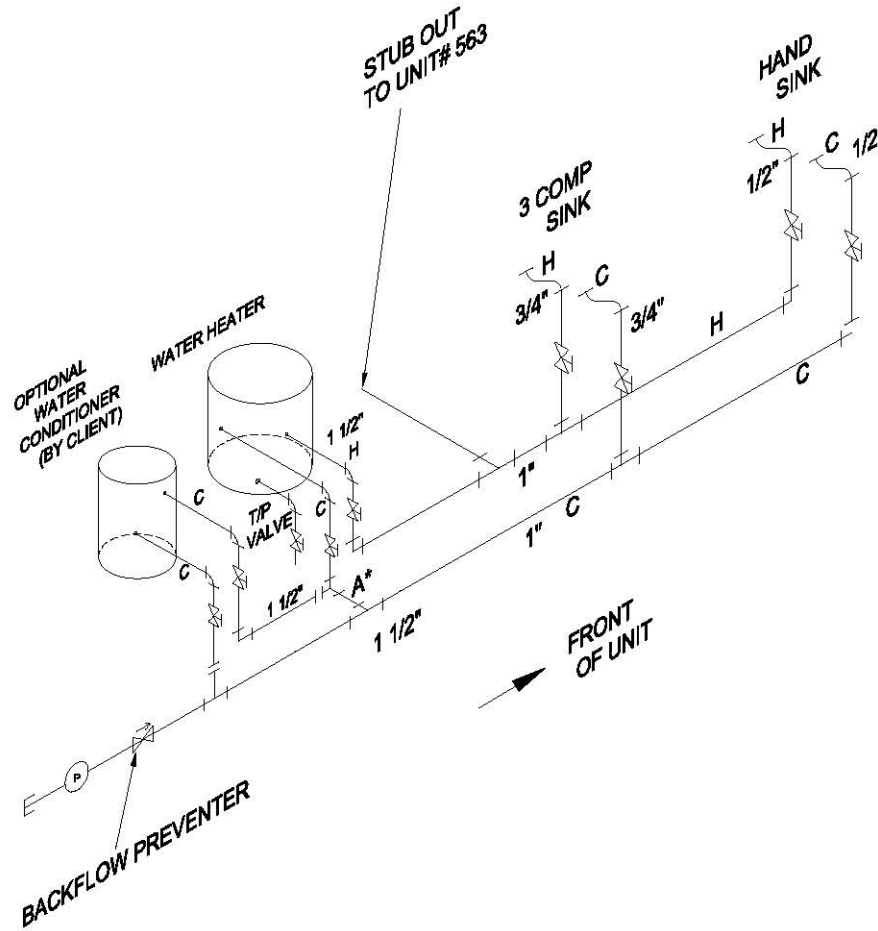
Please note: This drawing shows a typical configuration of equipment and does not necessarily show the equipment currently installed in the unit. Verify the specific equipment currently in the unit with a KTG representative.

THE DESIGN AND DETAILS DISCLOSED HEREIN ARE THE EXCLUSIVE PROPERTY OF CARLIN MANUFACTURING LLC. AND SHALL NOT BE COPIED OR REPRODUCED IN WHOLE OR IN PART WITHOUT THE PRIOR WRITTEN CONSENT OF CARLIN MANUFACTURING LLC. © 2005 CARLIN MANUFACTURING LLC.

REVISIONS				
ZONE	REV	DESCRIPTION	DATE	APPROVED

- NOTES:**
1. USE 1/2" KITEC TO PLUMB WATER LINE UNLESS OTHERWISE SPECIFIED.
USE BLUE KITEC FOR COLD WATER AND ORANGE KITEC FOR HOT WATER.
 2. ALL LINES SHALL BE ADEQUATELY SUPPORTED WITH GALV. STL. 2 HOLE STRAPS AT 3' O.C. MAX. TO WITHSTAND NORMAL ROAD AND OFF-ROAD (ROUGH TERRAIN) CONDITIONS.
 3. ALWAYS USE ROUND RUBBER GROMMETS WHENEVER PLUMBING LINES RUN THRU METAL PLATES, SKIN, CURB, ETC.
 4. WRAP ALL HOT WATER LINES WITH 3/8 WALL RUBATEX (NEOPRENE) PIPE INSULATION.
 5. PRESSURE TEST WATER LINES (90-100 PSI) FOR LEAKS PRIOR TO EQUIPMENT FINAL CONNECTIONS.
 6. FOR STORAGE: DRAIN WATER LINES USING DRAIN VALVES LOCATED UNDER 3 COMPARTMENT SINK.
 7. EXPOSED SURFACE LINES (KITEC, PVC ABS) CAN NOT BE RUN UNLESS APPROVED BY CARLIN MANUFACTURING.
 8. WATER HEATER SHALL BE PERMANENTLY SECURE TO THE FLOOR AND OR THE WALL.

A* REMOVE THIS CONNECTION IF WATER SOFTENER IS ADDED TO THE SYSTEM



SYMBOL	DESCRIPTION
H	HOT WATER LINE
C	COLD WATER LINE
(R)	PRESSURE REGULATOR
(V)	VALVE, BRASS BALL
(T)	TEE
(E)	90° ELBOW
(F)	FLEX HOSE ASSEMBLY (S.S. BRAIDED MPT x FPT SWIVEL)
(Q)	QUICK DISCONNECT
(S)	VALVE 3-WAY
(P)	PUMP
(R)	REDUCER
(C)	CHECK VALVE
(F)	WATER FILTRATION SYSTEM

Kitchens To Go

KTG-562
MODULAR PREP UNIT

UNLESS OTHERWISE SPECIFIED DIMENSIONS ARE IN INCHES TOLERANCES ARE:

FRACTIONS	DECIMALS
FRAC 1/8	300" ± .08
AND < 1"	300" ± .05

DO NOT SCALE DRAWINGS

CHANGES PREPARED IN ACCORDANCE WITH AEC-C 390, MIL-STD-883C AND ANSI Y14.5

DATE CODE: 582P01-0-01

SCALE: 1:4

CARLIN
MANUFACTURING LLC

FRESH WATER PLUMBING SCHEMATIC

DATE: 08-24-05

APPROVALS: GSF

DATE CODE: 582P01-0-01

SCALE: 1:4