

Please note: This drawing shows a typical configuration of equipment and does not necessarily show the equipment currently installed in the unit. Verify the specific equipment currently in the unit with a KTG representative.

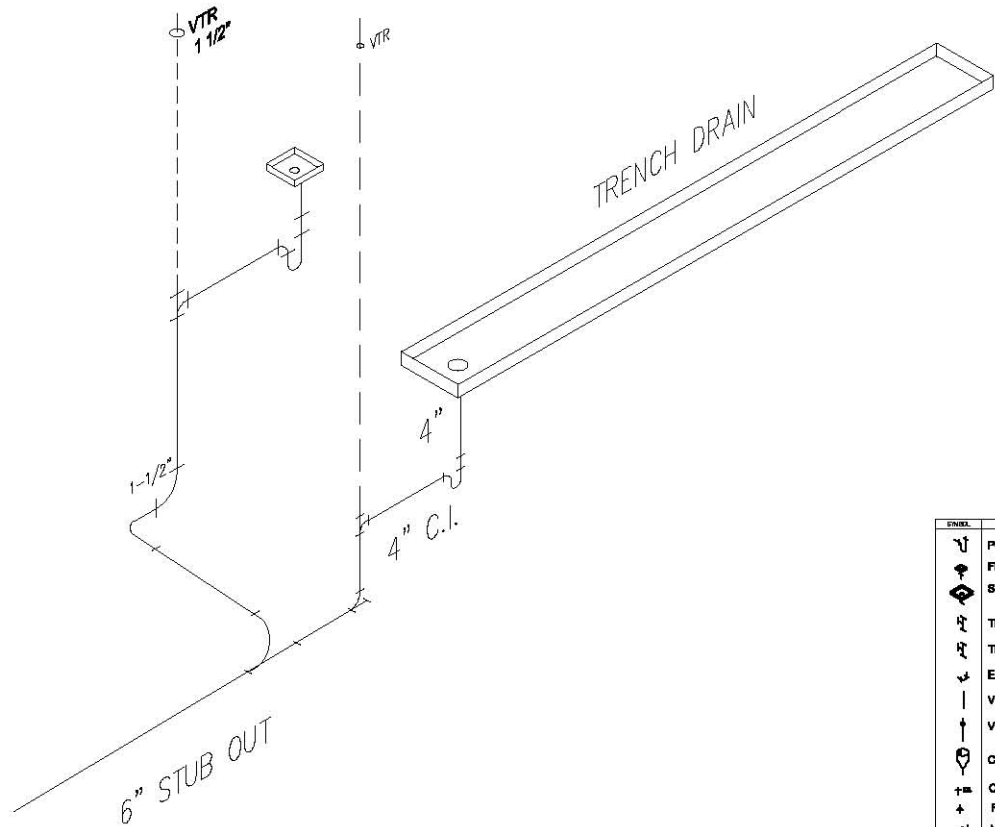
8 7 6 5 4 3 2 1

THE DESIGN AND DETAILS DISCLOSED HEREIN ARE THE EXCLUSIVE PROPERTY OF CARLIN MANUFACTURING LLC. AND SHALL NOT BE COPIED OR REPRODUCED IN WHOLE OR IN PART WITHOUT THE PRIOR WRITTEN CONSENT OF CARLIN MANUFACTURING LLC. © 2005 CARLIN MANUFACTURING LLC

REVISIONS				
ZONE	REV	DESCRIPTION	DATE	APPROVED

**NOTES:**

1. ALL LINES SHALL BE ADEQUATELY SUPPORTED WITH GALV. STL 2 HOLE STRAPS AT 3" O.C. MAX. TO WITHSTAND NORMAL ROAD AND OFF-ROAD (ROUGH TERRAIN) CONDITIONS.
2. ALWAYS USE ROUND RUBBER GROMETS WHENEVER PLUMBING LINES RUN THRU METAL PLATES, SKIN, CURBS, ETC.
3. ALL PLUMBING LINES SHALL BE OF ABS MATERIAL, UNLESS OTHERWISE SPECIFIED.
4. SEWER LINES FROM FLOOR SINKS SHALL ALL BE CAST IRON (C.I.) EXCEPT VENT LINES, OTHERWISE USE ABS MATERIAL.
5. FLOOR SINKS SHALL BE MOUNTED FLUSH WITH FINISHED FLOOR.
6. EXPOSED SURFACE LINES (KITEC, PVC ABS) CAN NOT BE RUN UNLESS APPROVED BY CARLIN MANUFACTURING.



SYMBOL	DESCRIPTION
	P-TRAP
	FLOOR SINK
	SINK
	TEE
	TEE/WYE LONG RADIUS
	ELBOW 90°
	VENT LINE
	VENT LINE THROUGH ROOF
	CONDENSATE RECEPTOR
	CLEAN OUT
	REDUCER
	VALVE
	DRIP PAN
	BAYONETTE VALVE
	QUICK DISCONNECT

**Kitchens To Go**  
**KTG-561**  
**MODULAR KITCHEN UNIT**

UNLESS OTHERWISE SPECIFIED DIMENSIONS ARE IN INCHES TOLERANCES ARE:  
 FINISH 1/8" DECIMALS  
 AND C. 1/2" 300-1-20  
 300-1-20  
 300-1-20  
 DO NOT SCALE DRAWINGS  
 DIMENSIONS PREPARED IN ACCORDANCE WITH A.S.I. 300-1-20, 300-1-20, AND 300-1-20

DATE: 08-24-05  
 DWG. NO: 581P02-0-01  
 SCALE: 1:2

**KTG-561**

APPROVALS: GSF DATE: 08-24-05

**CARLIN MANUFACTURING, LLC**  
**WASTE WATER PLUMBING SCHEMATIC**

DWG. NO: 581P02-0-01  
 SCALE: 1:2

8 7 6 5 4 3 2 1