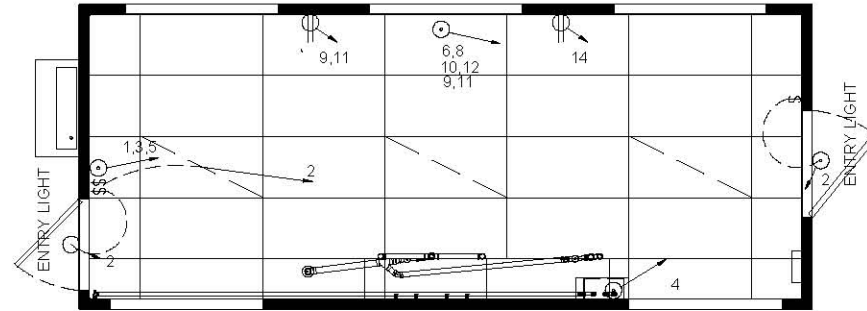


Please note: This drawing shows a typical configuration of equipment and does not necessarily show the equipment currently installed in the unit. Verify the specific equipment currently in the unit with a KTG representative.

THE DESIGN AND DETAILS DISCLOSED HEREIN ARE THE EXCLUSIVE PROPERTY OF CARLIN MANUFACTURING LLC, AND SHALL NOT BE COPIED OR REPRODUCED IN WHOLE OR IN PART WITHOUT THE PRIOR WRITTEN CONSENT OF CARLIN MANUFACTURING LLC. © 2004 CARLIN MANUFACTURING LLC.

REVISIONS				
ZONE	REV	DESCRIPTION	DATE	APPROVED



**FLOOR PLAN**

**APPROVED  
BY CLIENT**

BY \_\_\_\_\_ DATE \_\_\_\_\_

LEGEND	
	FLUORESCENT LIGHT FIXTURE
	OUTLET
	HARDWARE CONNECTION
	EXHAUST FAN
	SWITCH
	PILOT LIGHT SWITCH
	DEMOTES CIRCUIT #B

**Kitchens To Go**

**CAMP PEARY  
MODULE 2**

SIZE <b>B</b>	CASE CODE	DWG. NO. 554E01-0-02	REV.
SCALE 1/4" = 1' - 0"		DATE	SHEET

ALL DIMENSIONS SPECIFIED  
UNLESS OTHERWISE NOTED  
TOLERANCES ARE:  
FRACTIONS 1/8" DECIMALS  
FRACTIONS 1/16" DECIMALS  
ANGLES ± 0.00041 DEG  
DIMENSIONS IN PARENTHESES  
INDICATE DIMENSIONS TO  
ACCURACY OF 0.001" (1/1000")  
UNLESS OTHERWISE NOTED

CC554

**CARLIN**  
MANUFACTURING LLC

**ELECTRICAL FLOOR PLAN  
SCHEMATIC**

APPROVALS	DATE
DRAWN GSF	5-24-04
CHECKED	
DESIGN ACTIVITY	
REV.	

SIZE <b>B</b>	CASE CODE	DWG. NO. 554E01-0-02	REV.
SCALE 1/4" = 1' - 0"		DATE	SHEET