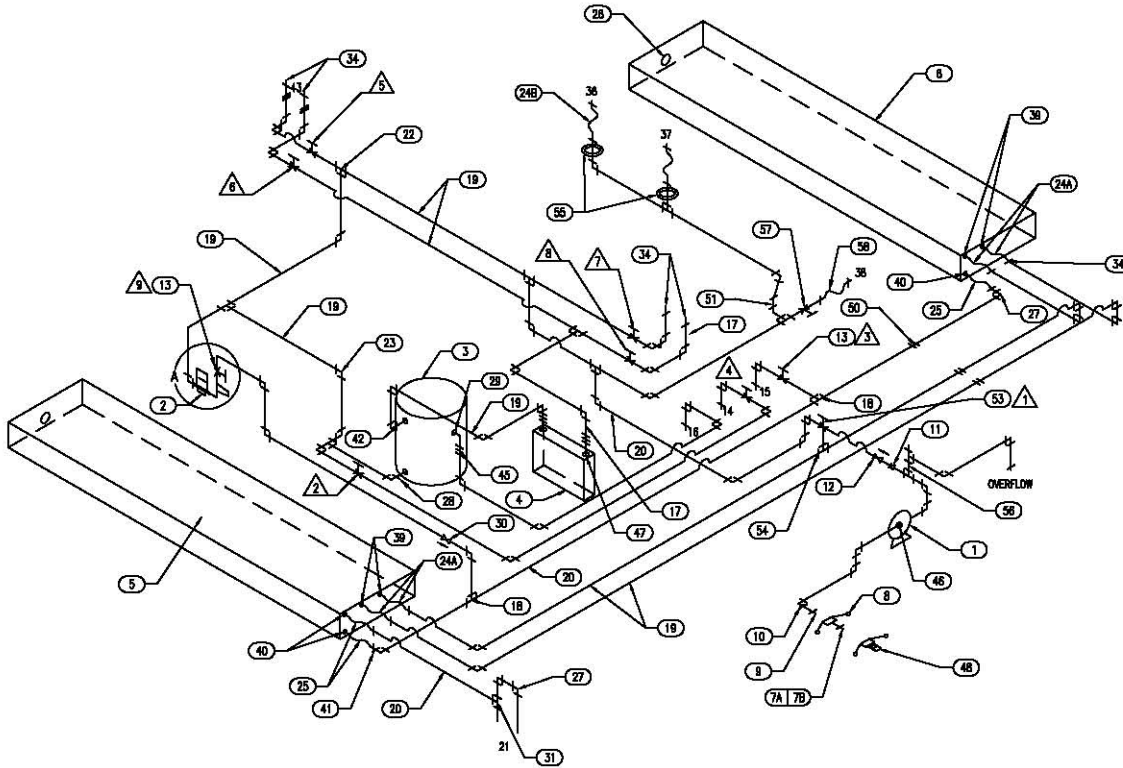


Please note: This drawing shows a typical configuration of equipment and does not necessarily show the equipment currently installed in the unit. Verify the specific equipment currently in the unit with a KTG representative.

ZONE	REV	REVISIONS	DATE	APPROVED



VALVE I.D.			
ITEM	P.N.	DESCRIPTION	QTY.
1	004105A	WATER TANK FILL AND SHORE WATER	1 EA.
2	004105B	WATER HEATER INLET	1 EA.
3	004105C	WATER TANK DRAIN	1 EA.
4	004105D	WATER LINE DRAIN	1 EA.
5	004105E	2-COMP. SINK-COLD LINE	1 EA.
6	004105F	2-COMP. SINK-HOT LINE	1 EA.
7	004105G	HAND SINK-COLD LINE	1 EA.
8	004105H	HAND SINK-HOT LINE	1 EA.
9	004105	WATER PUMP SHUT-OFF	1 EA.

1	710001	TUBE COPPER 1/4" 0.062W	58
1	100115	VALVE BRASS 1/2" BALL FPT	57
1	004600	VALVE BRASS 3/4" PRESS. RELIEF VALVE	56
2	100120	FLANGE CHROMED 1/2" COPPER TUBE	55
2	730037A	TEE COPPER 1/2X1/2X3/4, SWEAT SOLDER	54
1	002299A	VALVE BRASS 3/4, 3-WAY FPT	53
9	770042A	45 DEG. ELBOW COPPER 3/4 SWEAT SOLDER PIPE (NOT SHOWN)	52
16	730008A	45 DEG. ELBOW COPPER 1/2 SWEAT SOLDER PIPE	51
4	730046	COUPLING COPPER 3/4 SWEAT SOLDER PIPE	50
4	730003	COUPLING COPPER 3/4 SWEAT SOLDER PIPE	49
1	100001C	COUPLER BRASS 2" QUICK CONNECTOR X BARB	48
2	770044D	ADAPTER COPPER 1/2 SWEAT X 3/8 FPT	47
2	180040	BUSHING BRASS 1" MPT X 3/4" FPT, REDUCER	46
2	730050B	UNION COPPER 3/4, SWEAT SOLDER	45
1	-	WATER LINES (H&C), HAND SINK FEED	44
1	-	WATER LINES (H&C), 2-COMPARTMENT SINK FEED	43
4	000810B	REDUCER COPPER 3/4 X 1/2 SWEAT SOLDER, BELL	42
4	770043B	ADAPTER COPPER 3/4, FPT X SWEAT SOLDER (FEMALE)	41
3	130028	NIPPLE PVC 3/4" X 2" SCHED. 40	40
4	130027	NIPPLE PVC 1/2" X 2" SCHED. 40	39
1	-	WATER LINE, COFFEE URN FEED	38
1	-	WATER LINE, STEM KETTLE FEED	37
1	-	WATER LINE, SKILLET FEED	36
2	002243	ADAPTER BRASS 1/2 MPT X 3/4" BARB (MALE)	35
18	770044B	ADAPTER COPPER 1/2 SWEAT X FPT (FEMALE)	34
1	100057	TUBE POLYBUTYLENE 3/4"	33
6	004271	CLAMP S.S. 7/8 2-EARED HOSE	32
3	730039	TEE COPPER 3/4, SWEAT SOLDER	31
1	100217B	VALVE BRASS 1/2" CHECK FPT SPRING LOADED	30
1	100106	VALVE BRASS TEMP./PRESS. RELIEF 3/4"	29
2	730050C	UNION DIELECTRIC 3/4, IPS X SWEAT SOLDER	28
18	770042	90 DEG. ELBOW COPPER 3/4, SWEAT SOLDER	27
2	130011	PLUG PVC 1/2" MPT	26
3	000589A	HOSE FLEX. 3/4" X 18" WATER LINE, SWIVEL FPTX MPT (S.S. BRAIDED)	25
2	000589	HOSE ASSY 1/2" X 24" S.S. BRAIDED	24B
4	000589B	HOSE FLEX 1/2" X 18" WATER LINE, SWIVEL FPTX MPT (S.S. BRAIDED)	24A
50	730008	90 DEG. ELBOW COPPER 1/2, SWEAT SOLDER	23
8	730013	TEE COPPER 1/2, SWEAT SOLDER	22
1	-	OVERFLOW/VENT LINE, 3/4" TANK (THROUGH FLOOR)	21
20	710009	TUBE COPPER 3/4 TYPE "L" WATER RIGID	20
80	710010	TUBE COPPER 1/2 TYPE "L" WATER RIGID	19
2	730037	TEE COPPER 3/4X3/4X1/2, SWEAT SOLDER	18
6	730050A	UNION COPPER 1/2, SWEAT SOLDER	17
1	-	DRAIN LINE (FLOOR TROUGH) WATER HEATER T/P RELIEF VALVE	16
1	-	DRAIN LINE (FLOOR TROUGH) WATER TANK	15
1	-	DRAIN (FLOOR TROUGH) WATER LINE	14
8	100038	VALVE BRASS 1/2" BALL, SWEAT SOLDER	13
1	100207A	VALVE BRASS 3/4 CHECK FPT SPRING LOADED	12
1	003784A	PRESSURE REGULATOR 3/4", 100 PS. WATER PRESSURE	11
1	003607	90 DEG. GALV. STL. 2" X 3/4" REDUCER, FPT	10
1	100001A	CONNECTOR BRASS 2" QUICK CONNECTOR X MPT	9
1	100001D	CAP BRASS 2" QUICK CONNECTOR DUST	8
1	410023	NUT BRASS 1/2 IPS JAW	7B
1	003025A	ADAPTER BRASS 3/4" FEMALE HOSE, SWIVEL	7A
1	003134A	TANK POLYETHY. 80 GAL. 3.75X22.5X17.8X0.188 (COOKING SIDE)	6
1	003135A	TANK POLYETHY. 75 GAL. 7" X 16" X 16.4" X 0.188" (SERVICE SIDE)	5
1	003022A	WATER HEATER BOOSTER 9.5 KW, 208V, 60Hz	4
1	190004B	WATER HEATER 10 GAL., 1500W, 120V, 60Hz	3
1	002475	PUMP 4.6 GPM 12VAC	2
1	100080A	PUMP 1/2 HP, 120V, 60Hz SELF-PRIMING	1

UNLESS OTHERWISE SPECIFIED DIMENSIONS ARE IN INCHES TOLERANCES		DRAWING NO. 553			
DECIMALS .30 ± .01	FRACTIONS 1/16 ± .005	CUSTOMER US ARMY	DATE 2/22/93		
ANGLES ± .05	AMT ± .01	DRAWN ROBJ	REV. 0	SIZE PART NO. DWG. NO. REV.	
GREEN ALL SHARP EDGES ON MIN.		CHECKED		C 5539330 0	
DRAWINGS PREPARED IN ACCORDANCE WITH DOD-STD-100, AMB Y14.3		PLANNING NO.		FRESH WATER LINE SCHEMATIC DIAGRAM	
DO NOT SCALE DRAWINGS		SCALE NONE		THE DESIGN AND DETAILS DISCLOSED HEREIN ARE THE EXCLUSIVE PROPERTY OF CARLIN MANUFACTURING INC. AND SHALL NOT BE COPIED OR REPRODUCED IN WHOLE OR IN PART WITHOUT THE PRIOR WRITTEN CONSENT OF CARLIN MANUFACTURING INC. © 1983 CARLIN MANUFACTURING INC.	
THE CK-1E IS THE SUBJECT TO MULTIPLE U.S. AND INTERNATIONAL PATENTS PENDING					